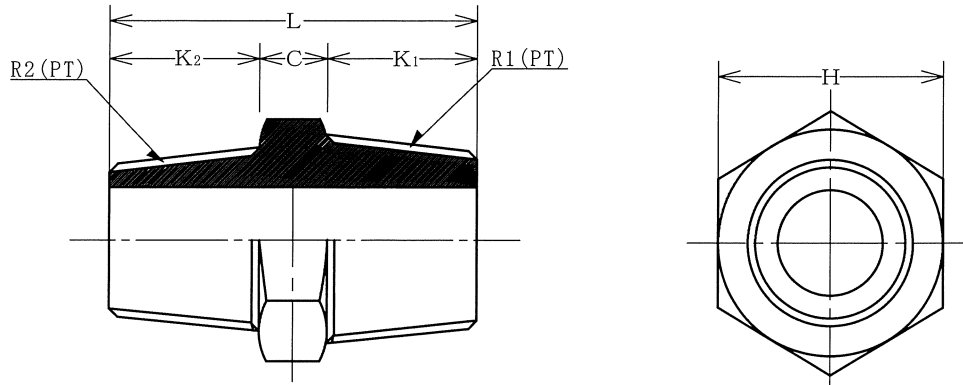




ねじ込み異径形ニップル
THREADED REDUCING NIPPLES

SRN
(RED NIPPLES)

ステンレス用
FOR STAINLESS STEEL



S R N

UNIT : mm

NOM. SIZE (A)	SIZE (B)	R1	R2	K ₁	K ₂	C	L	H
		(PT)	(PT)					
8 × 6	1/4 × 1/8	1/4	1/8	13.0	12.0	5.0	30.0	14.0
10 × 6	3/8 × 1/8	3/8	1/8	14.0	12.0	6.0	32.0	19.0
10 × 8	3/8 × 1/4	3/8	1/4	14.0	13.0	6.0	33.0	19.0
15 × 8	1/2 × 1/4	1/2	1/4	15.0	13.0	10.0	38.0	23.0
15 × 10	1/2 × 3/8	1/2	3/8	15.0	14.0	10.0	39.0	23.0
20 × 10	3/4 × 3/8	3/4	3/8	18.0	15.0	11.0	44.0	29.0
20 × 15	3/4 × 1/2	3/4	1/2	18.0	16.0	11.0	45.0	29.0
25 × 15	1 × 1/2	1	1/2	22.0	18.0	12.0	52.0	35.0
25 × 20	1 × 3/4	1	3/4	22.0	20.0	12.0	54.0	35.0
32 × 25	1-1/4 × 1	1-1/4	1	22.0	22.0	12.0	56.0	46.0
40 × 20	1-1/2 × 3/4	1-1/2	3/4	25.0	20.0	14.0	59.0	50.0
40 × 25	1-1/2 × 1	1-1/2	1	25.0	22.0	14.0	61.0	50.0
40 × 32	1-1/2 × 1-1/4	1-1/2	1-1/4	25.0	22.0	14.0	61.0	50.0
50 × 40	2 × 1-1/2	2	1-1/2	29.0	25.0	16.0	70.0	63.0

ヤマト特殊鋼株式会社
YAMATO SPECIAL STEEL CO., LTD.

Sheet No. JST-16

平成22年1月5更新