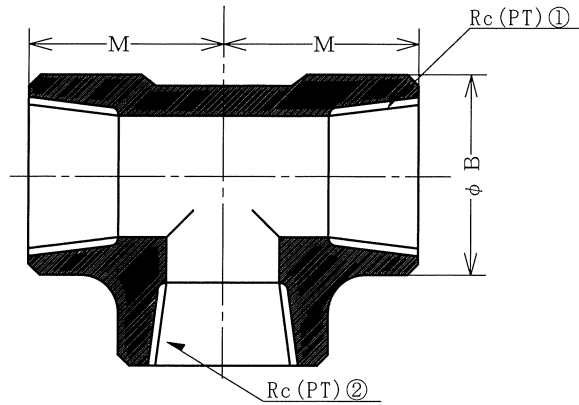




ねじ込み形異径ティー  
 THREADED REDUCING TEES

STR (RED. TEES)



STR

UNIT : mm

NOM. SIZE				B	M
(A)		(B)			
①	②	①	②		
10 × 08		3/8 × 1/4		27.0	25.5
15 × 08		1/2 × 1/4		34.0	28.9
15 × 10		1/2 × 3/8		34.0	28.9
20 × 08		3/4 × 1/4		39.0	33.1
20 × 10		3/4 × 3/8		39.0	33.1
20 × 15		3/4 × 1/2		39.0	33.1
25 × 08		1 × 1/4		47.0	38.2
25 × 10		1 × 3/8		47.0	38.2
25 × 15		1 × 1/2		47.0	38.2
25 × 20		1 × 3/4		47.0	38.2
32 × 15		1-1/4 × 1/2		56.0	45.0
32 × 20		1-1/4 × 3/4		56.0	45.0
32 × 25		1-1/4 × 1		56.0	45.0
40 × 15		1-1/2 × 1/2		63.0	50.8
40 × 20		1-1/2 × 3/4		63.0	50.8
40 × 25		1-1/2 × 1		63.0	50.8
40 × 32		1-1/2 × 1-1/4		63.0	50.8
50 × 15		2 × 1/2		76.0	60.1
50 × 20		2 × 3/4		76.0	60.1
50 × 25		2 × 1		76.0	60.1
50 × 32		2 × 1-1/4		76.0	60.1
50 × 40		2 × 1-1/2		76.0	60.1

ヤマト特殊鋼株式会社  
 YAMATO SPECIAL STEEL CO., LTD.

Sheet No. JT-16

平成22年1月5更新